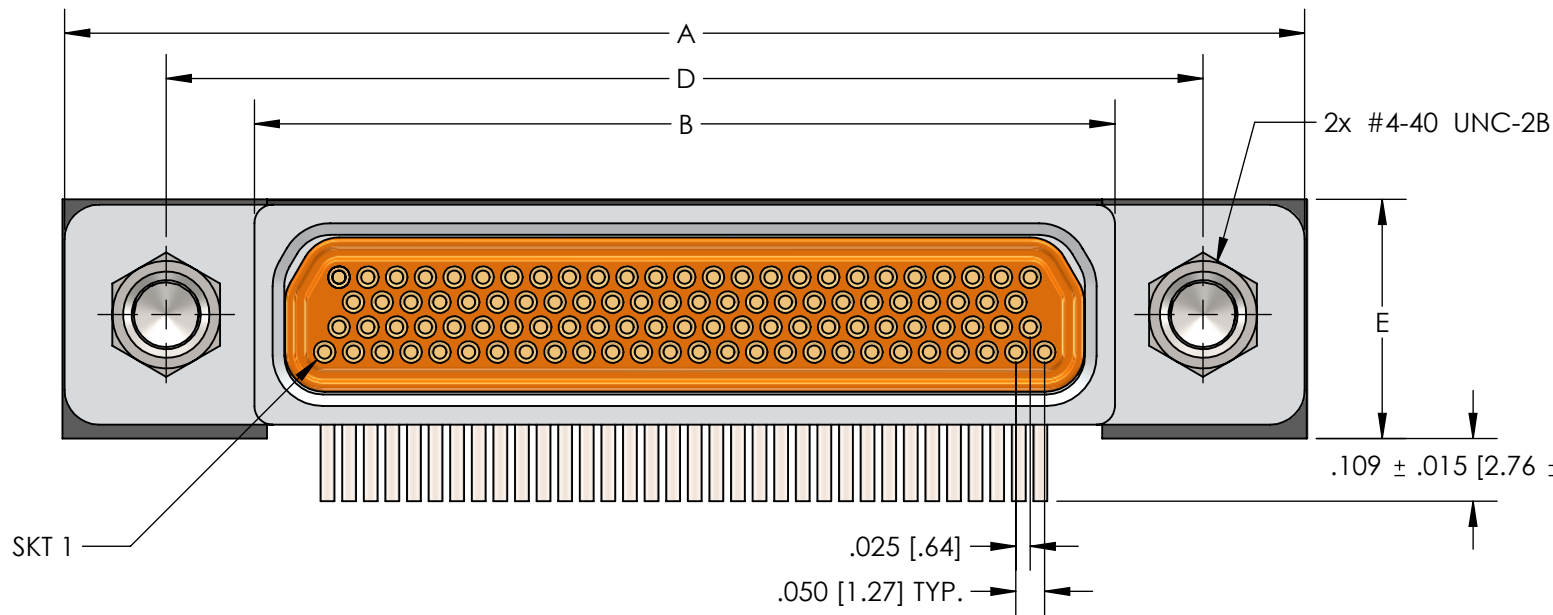
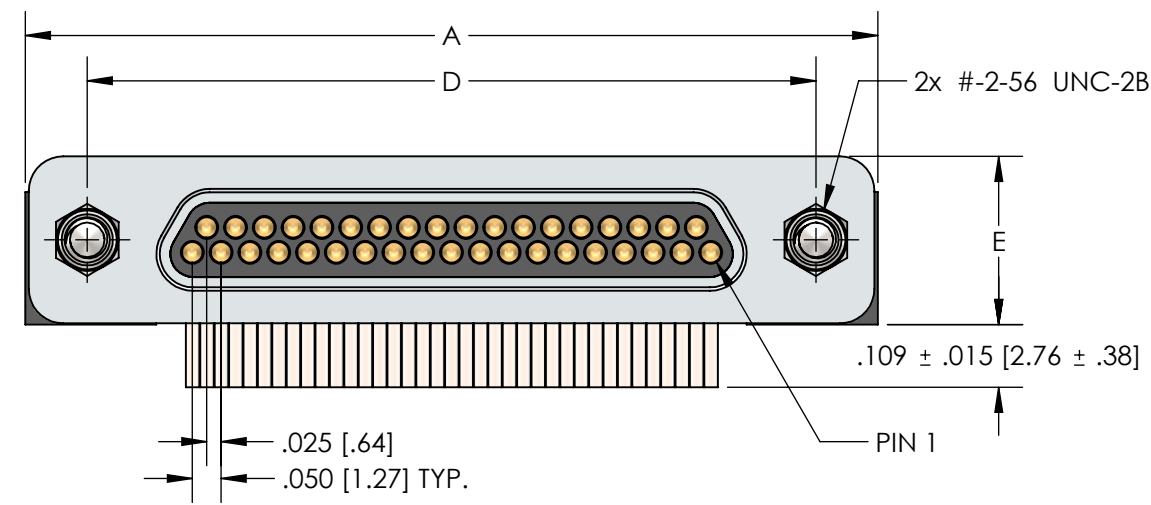
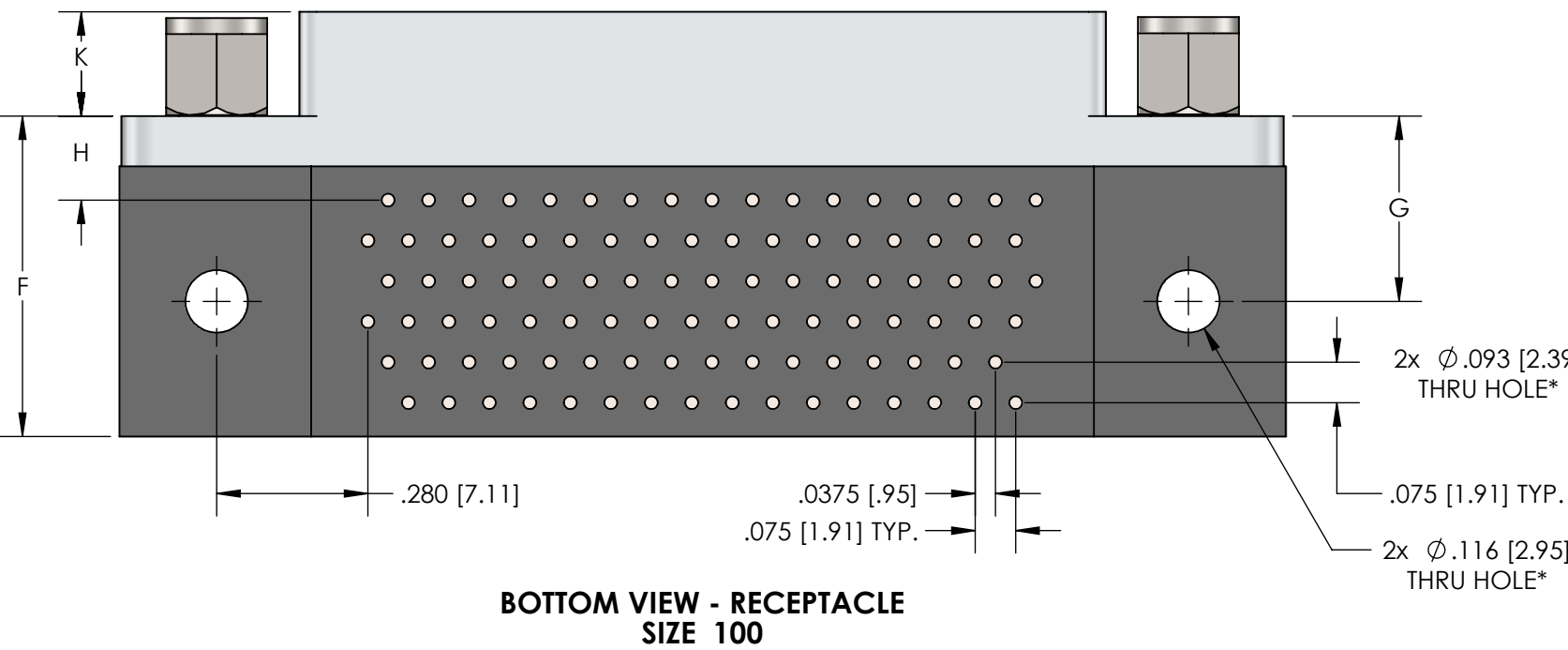
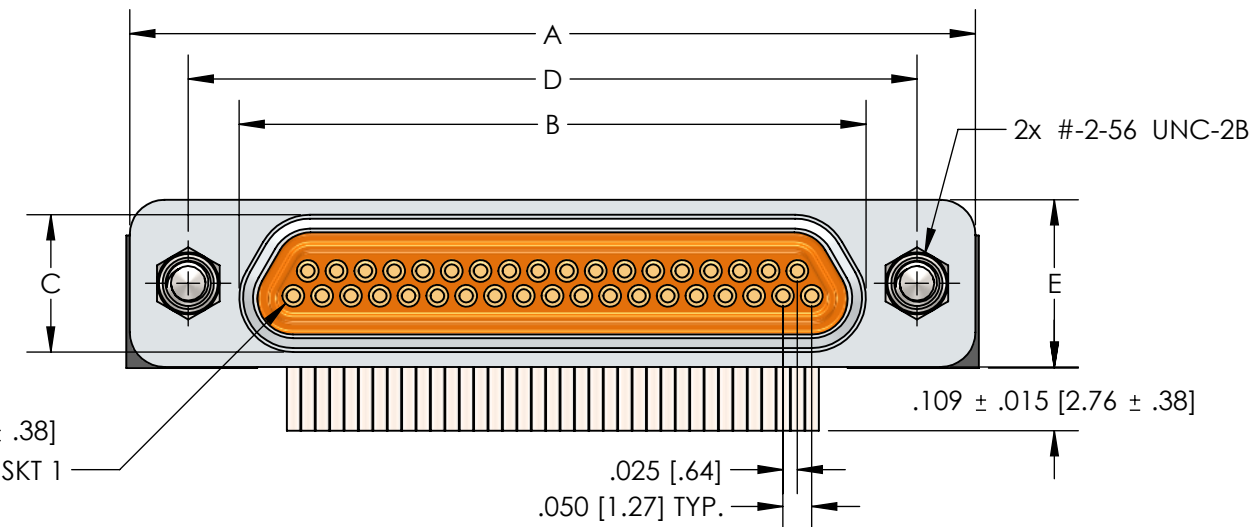


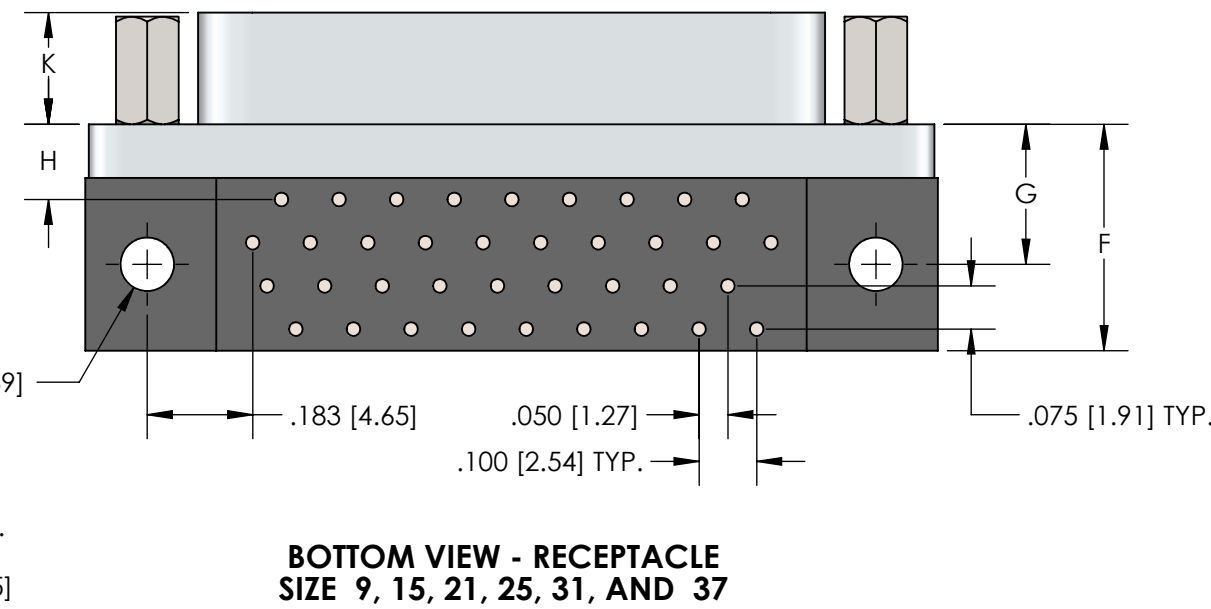
FRONT VIEW - PLUG (PINS)



FRONT VIEW - RECEPTACLE (SOCKETS)



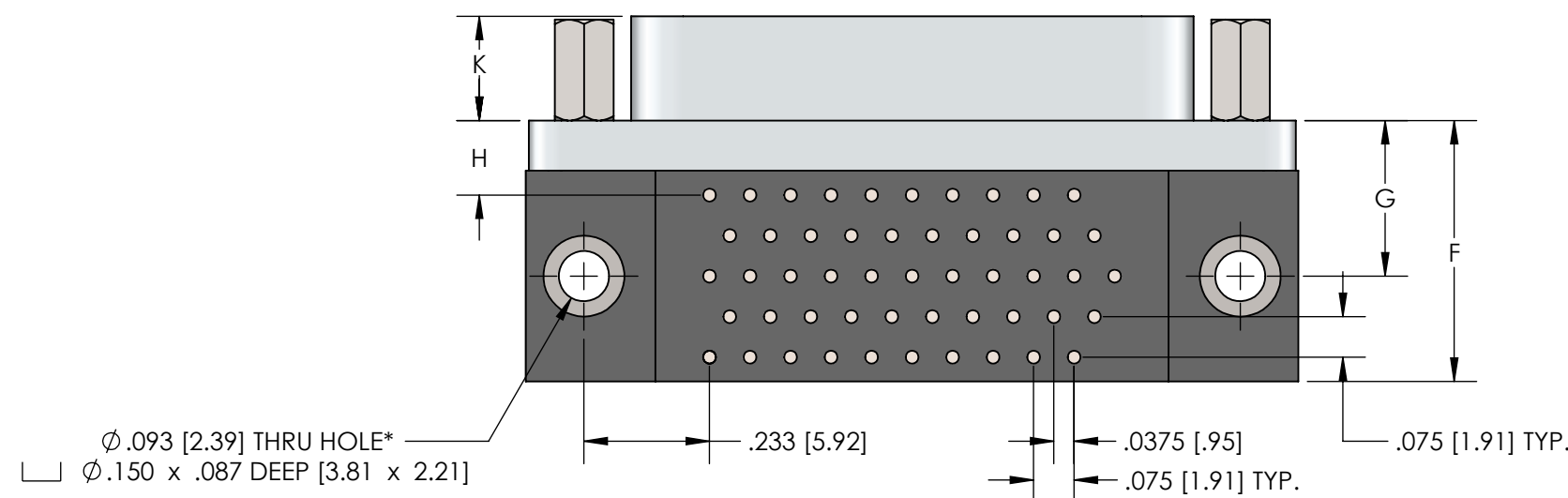
BOTTOM VIEW - RECEPTACLE
SIZE 100



BOTTOM VIEW - RECEPTACLE
SIZE 9, 15, 21, 25, 31, AND 37

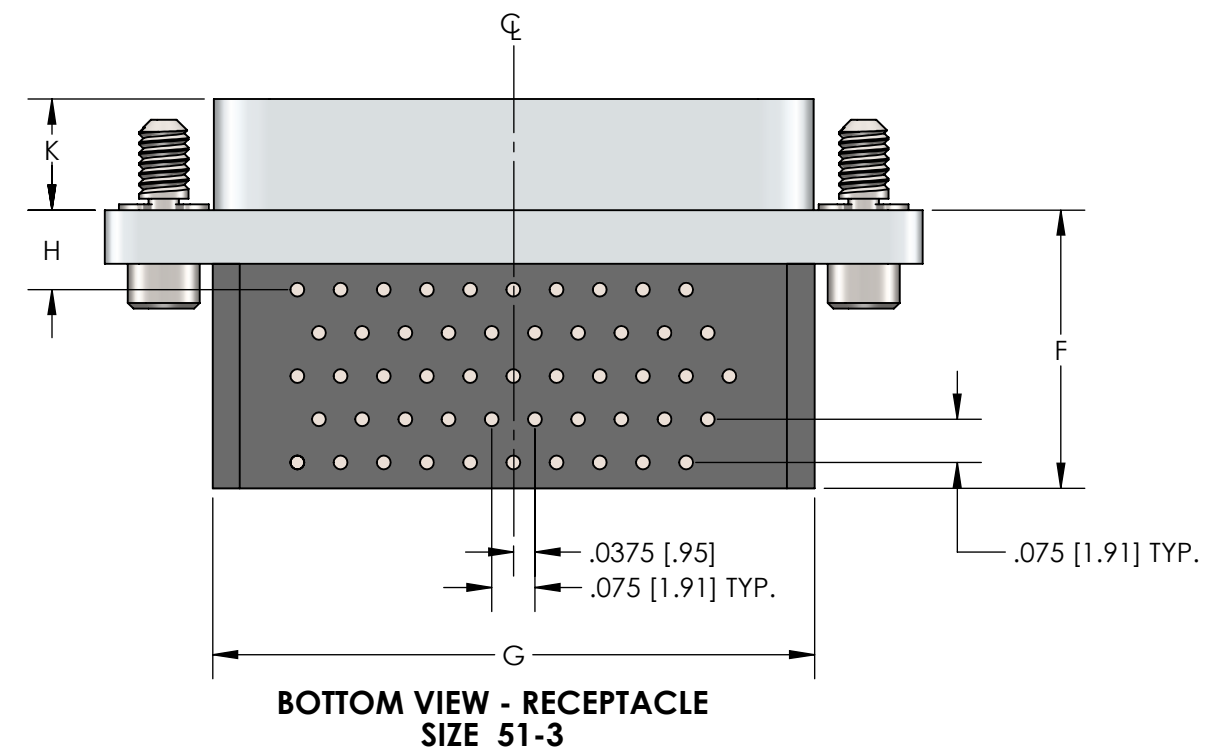
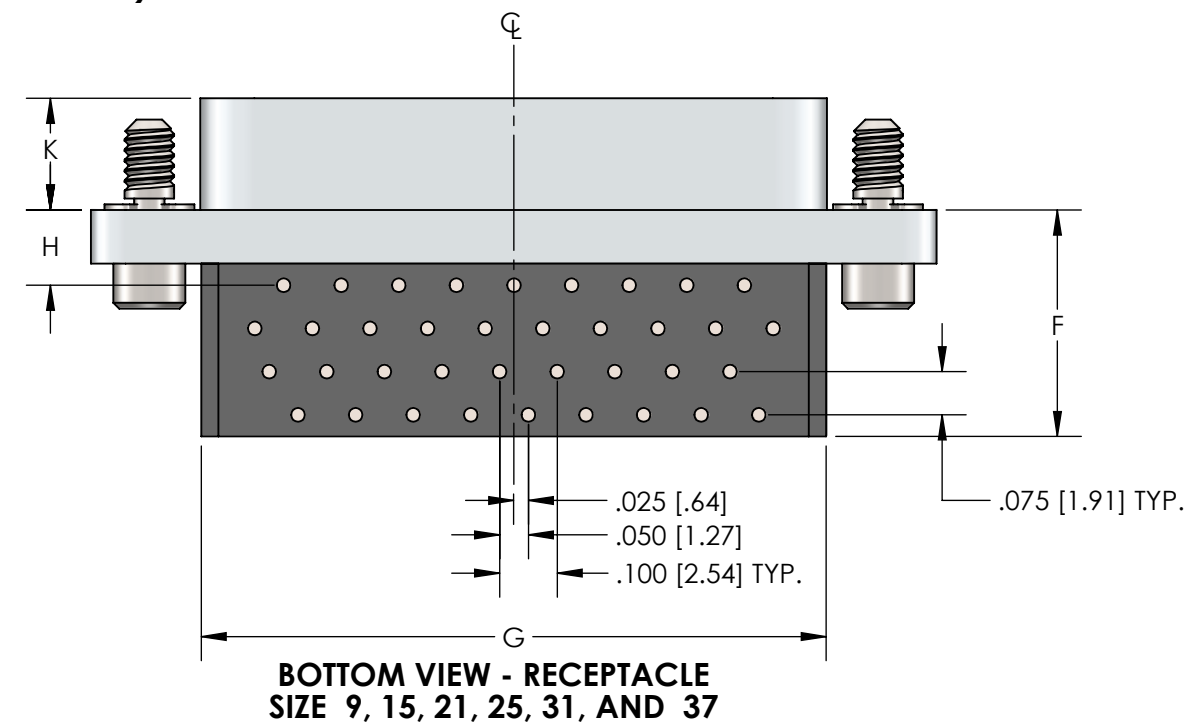
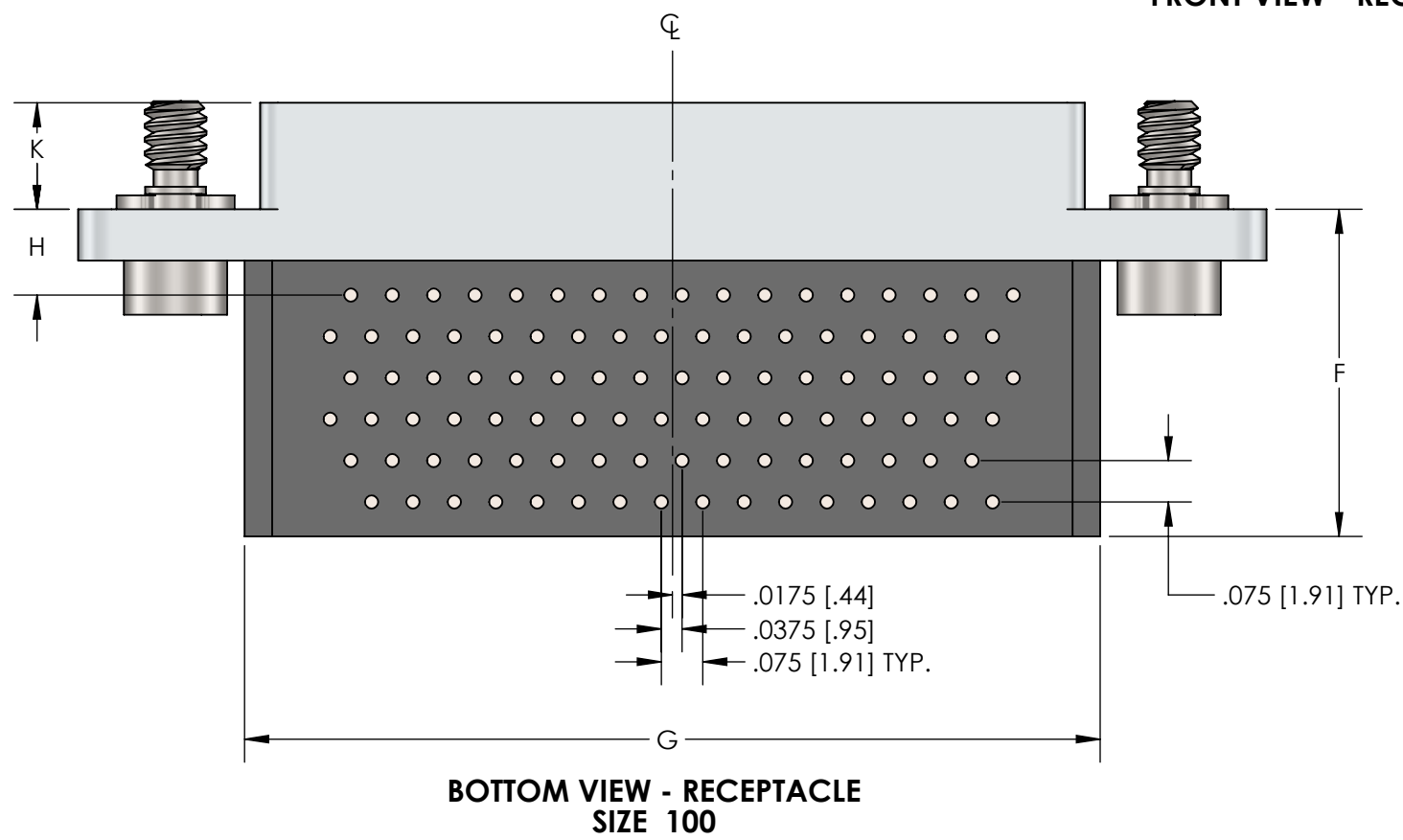
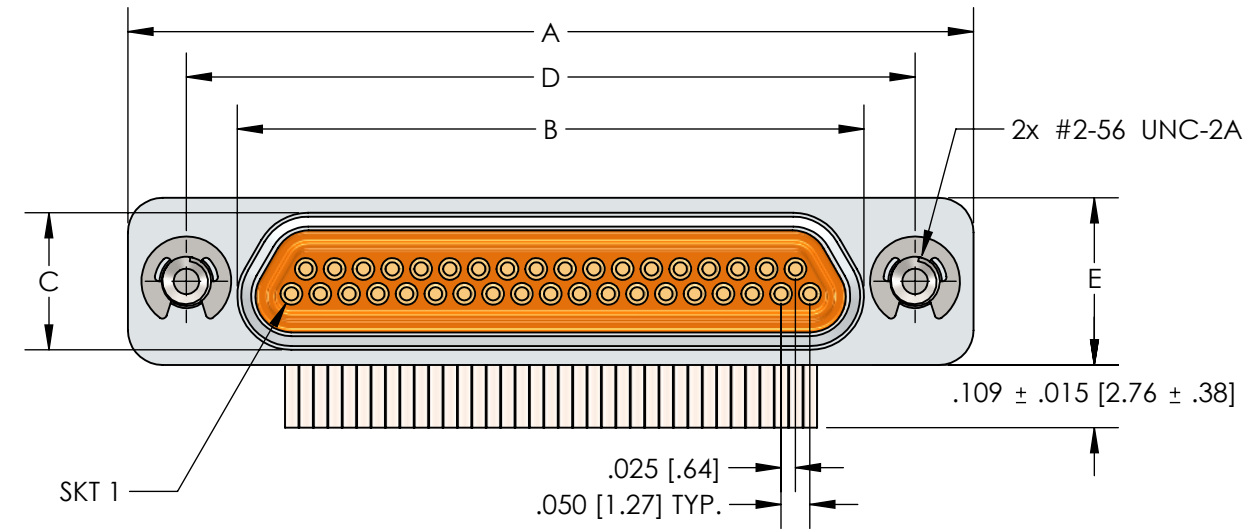
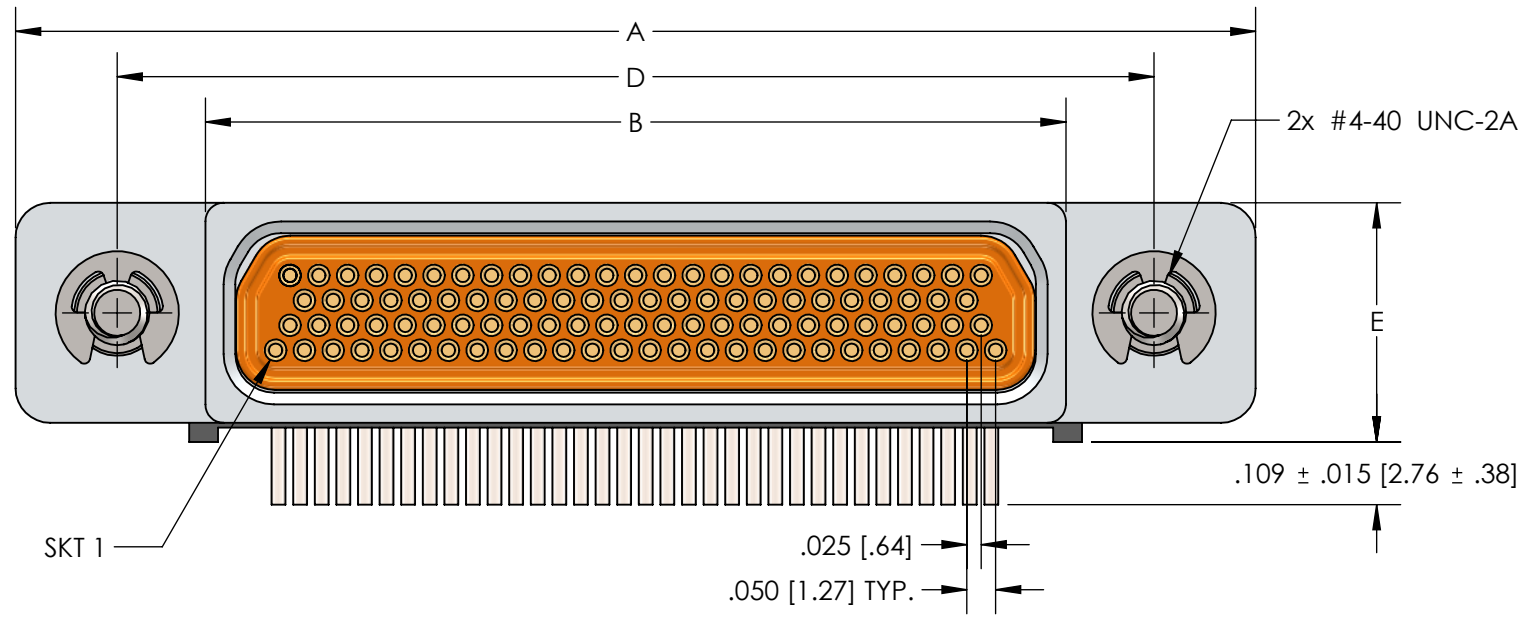
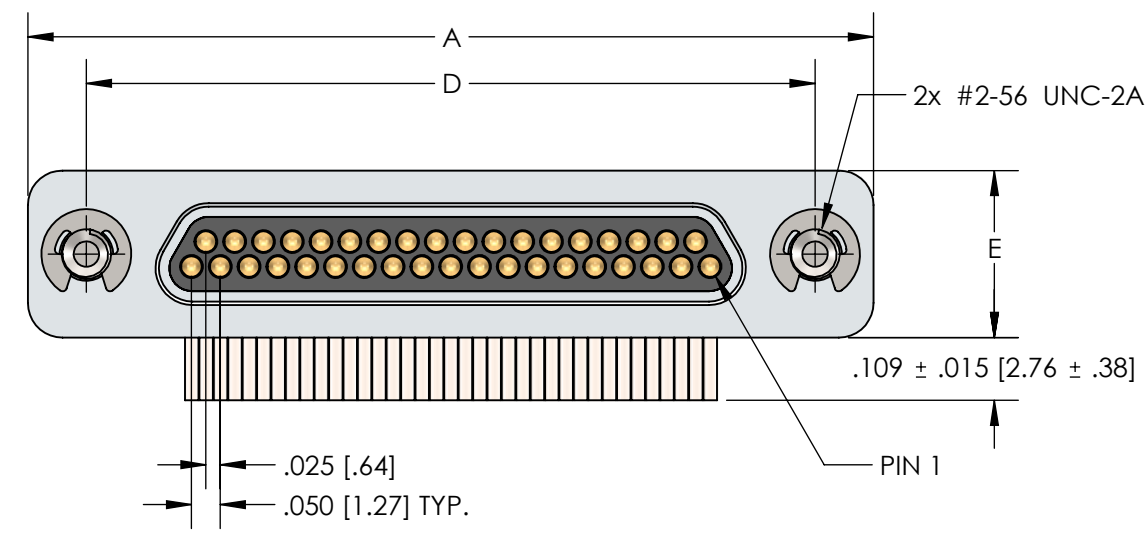
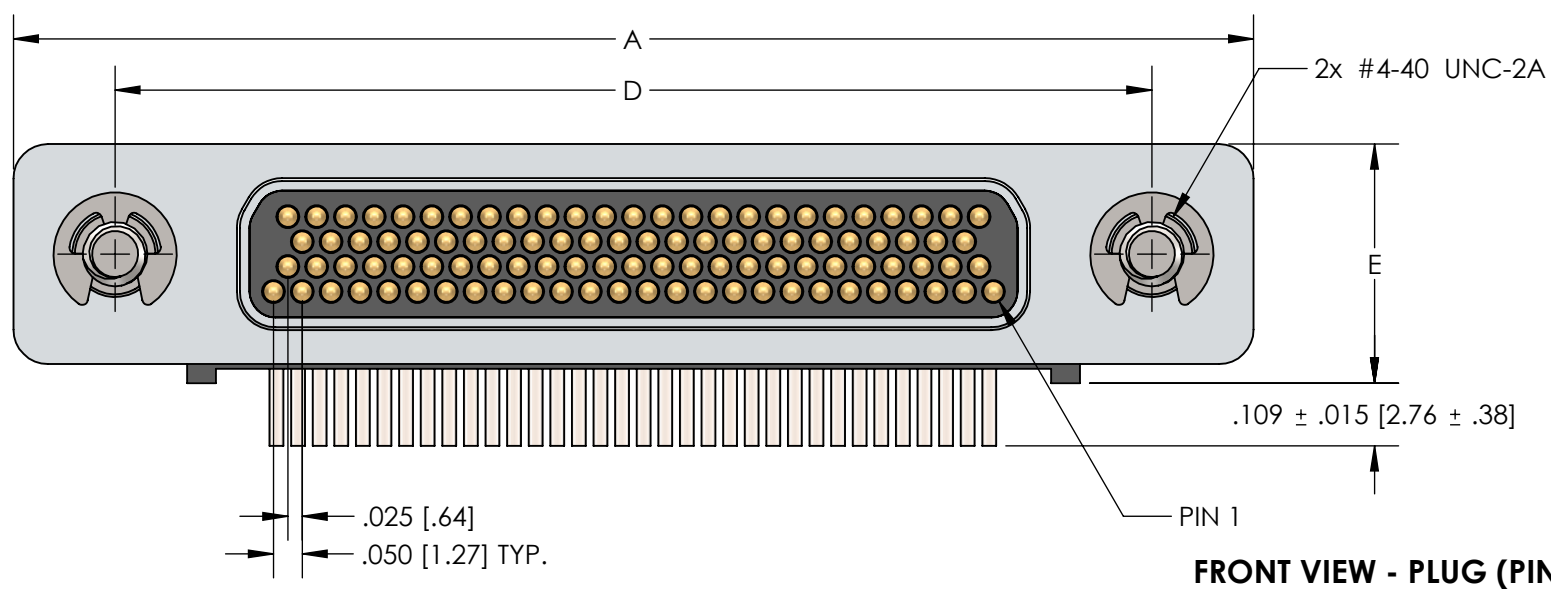
* THREADED INSERTS AVAILABLE IN PLACE OF THRU HOLES

- #2-56 AVAILABLE ON SIZES 9 THRU 51-3
- #4-40 AVAILABLE ON SIZE 100



BOTTOM VIEW - RECEPTACLE
SIZE 51-3

Style 8



Style 18